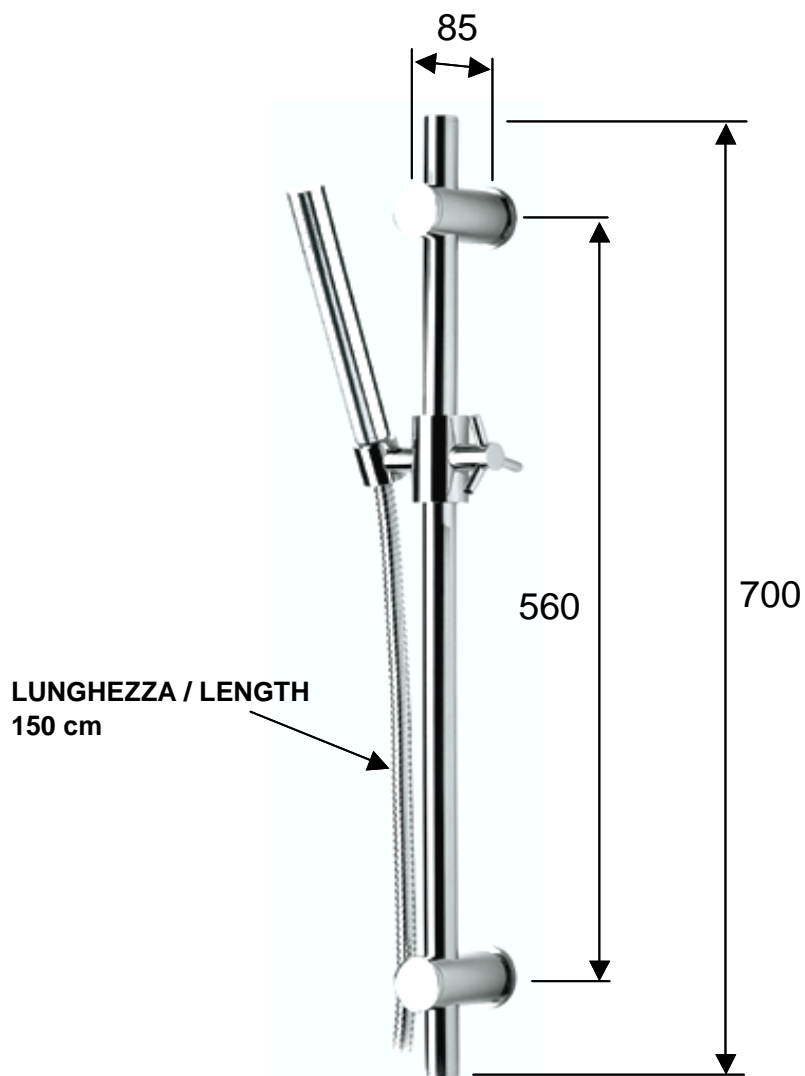




SCHEDA TECNICA TECHNICAL FEATURES

ART. COD. A340435



MATERIALI / MATERIALS

OTTONE CROMATO / CHROME PLATED BRASS

CROMATURA / CHROME PLATING

UNI EN 248