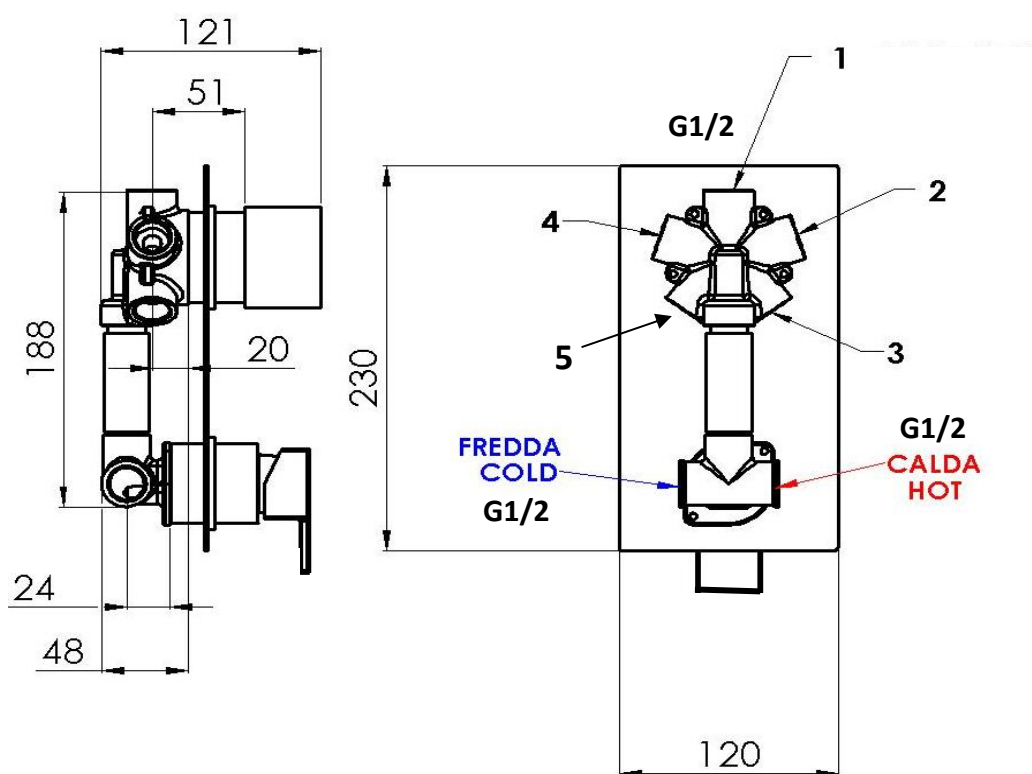
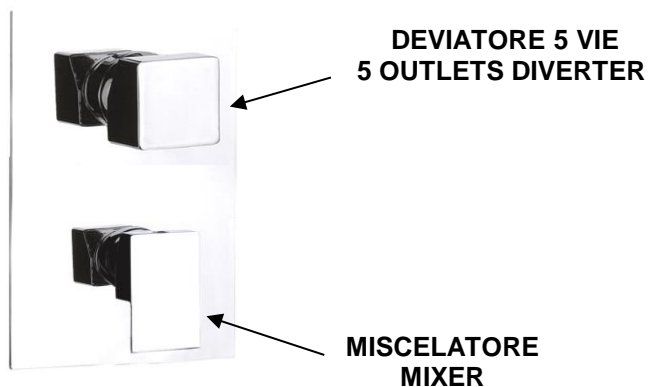


ART. COD. **SK 612D5**



P. MIN = 3 bar

MATERIALI / MATERIALS

OTTONE CROMATO / CHROME PLATED BRASS

CROMATURA / CHROME PLATING

UNI EN 248