

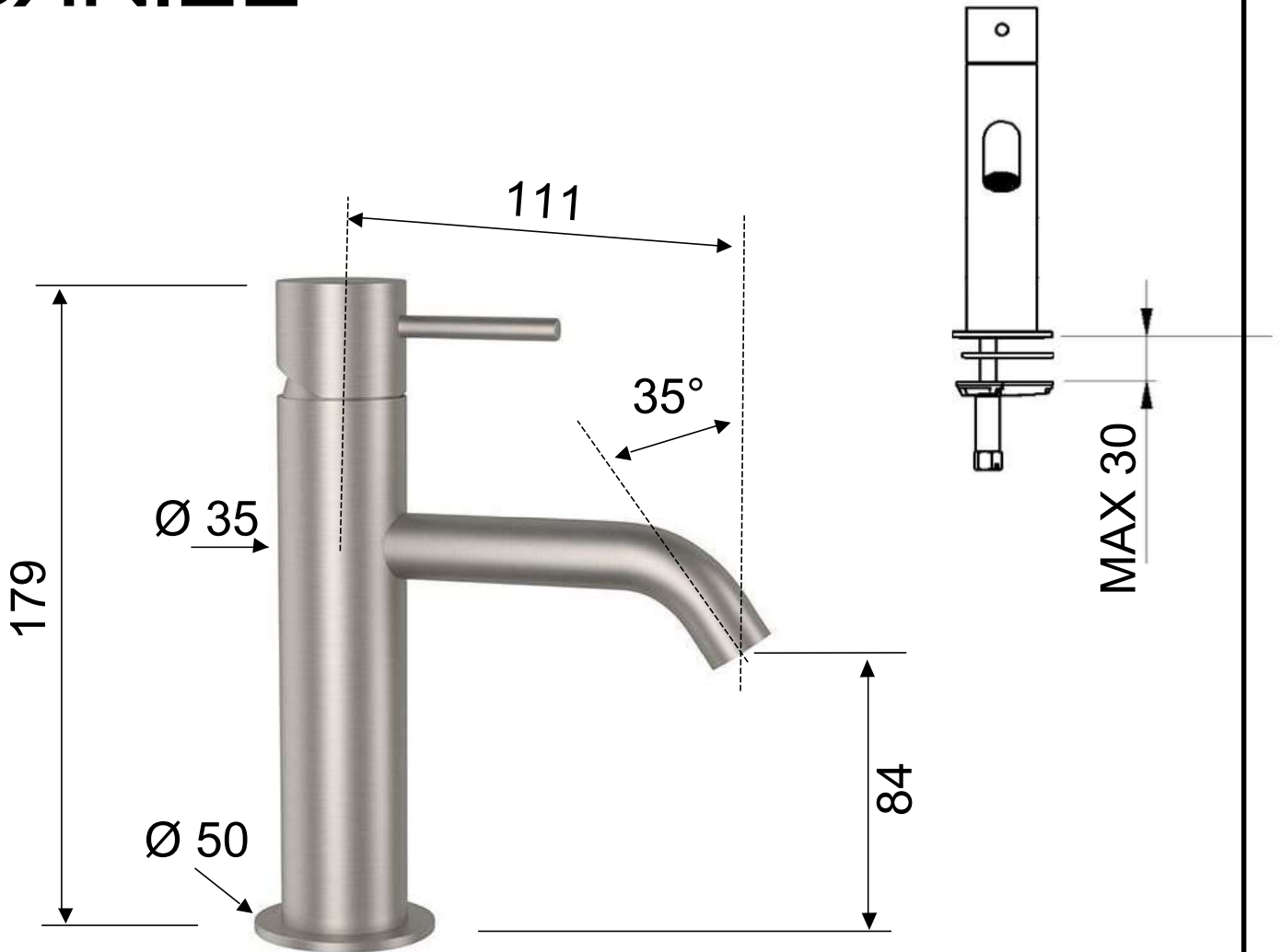


DANIEL

SCHEDA TECNICA TECHNICAL FEATURES

ART. COD.

SSTX606N



MATERIALI / MATERIALS

ACCIAIO INOX / STAINLESS STEEL