

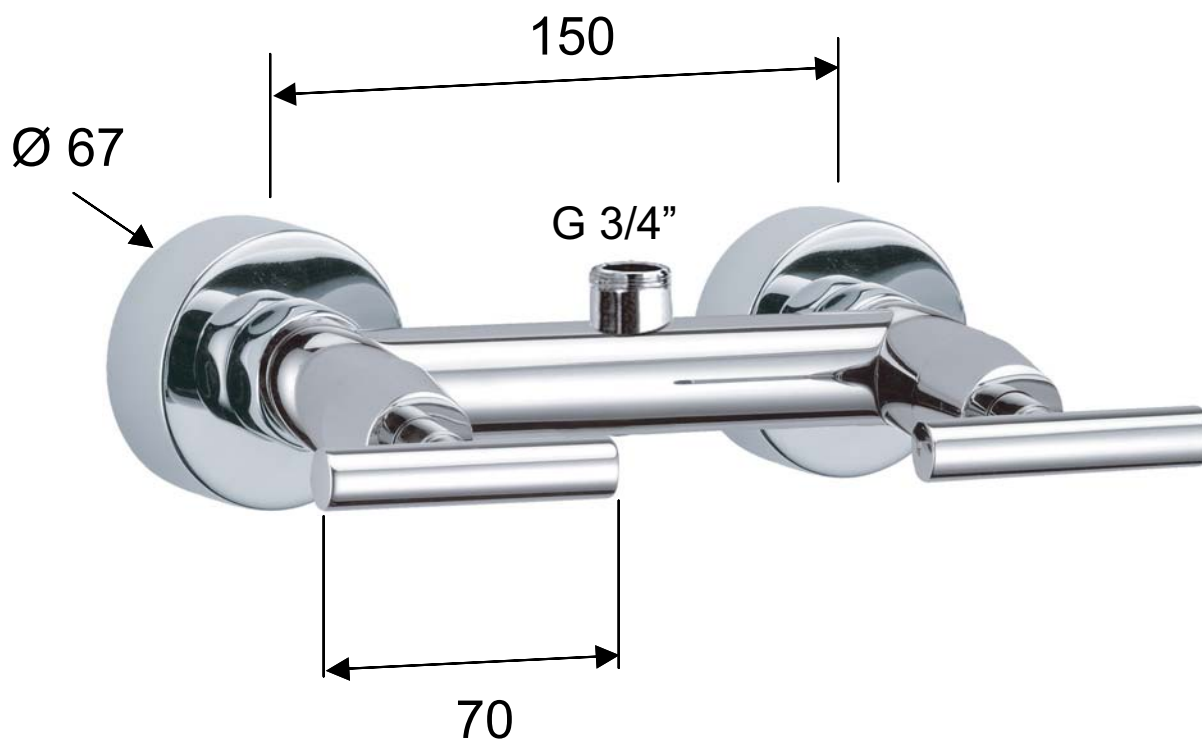


DANIEL

SCHEDA TECNICA TECHNICAL FEATURES

ART. COD.

Y4433Z



MATERIALE / MATERIAL

OTTONE CROMATO / CHROME PLATED BRASS

CROMATURA / CHROME PLATING

UNI EN 248