

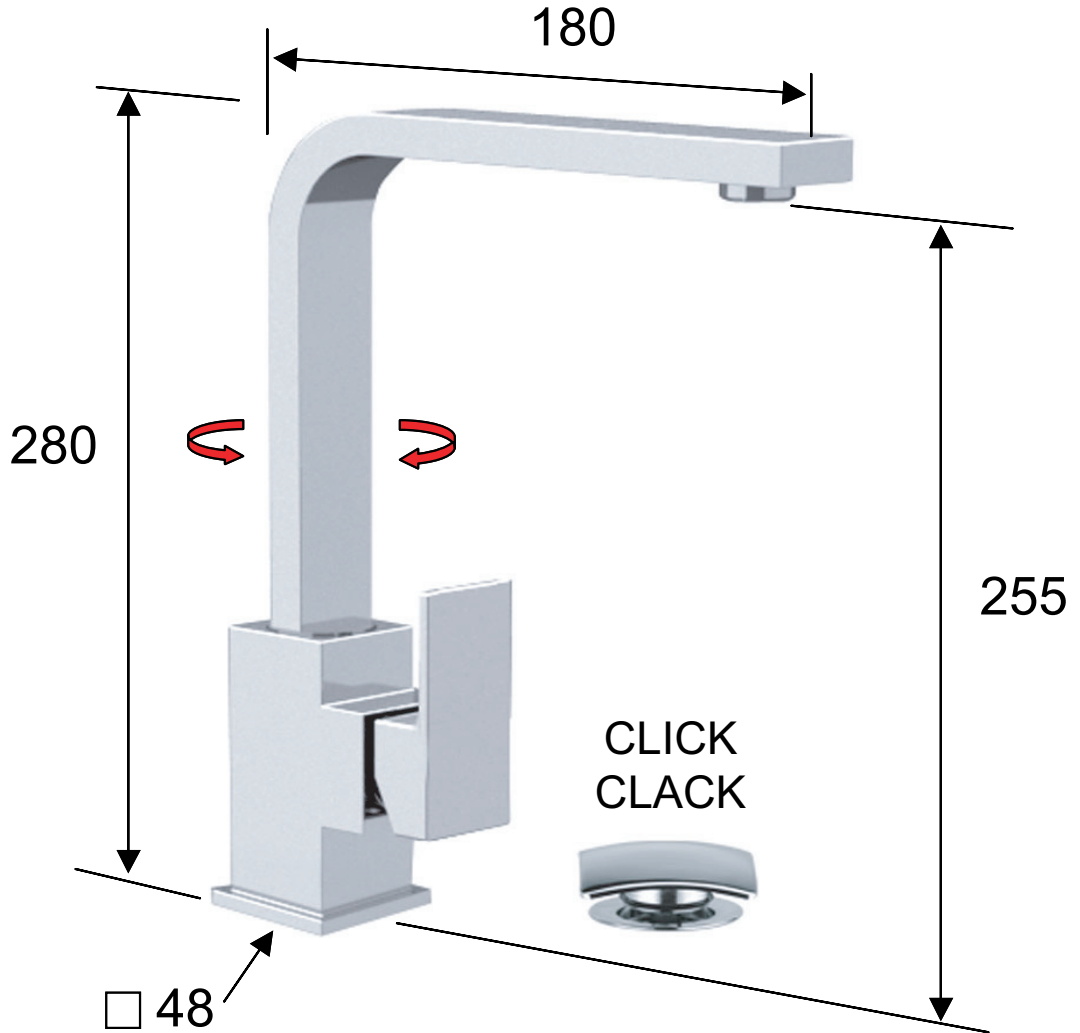


DANIEL

SCHEDA TECNICA TECHNICAL FEATURES

ART. COD.

SK605R



PRESSIONE / PRESSURE
PORTATA / FLOW RATE

1	2	3	4	5	bar
9	12	15	18	21	l/min

MATERIALI / MATERIALS

OTTONE CROMATO / CHROME PLATED BRASS

CROMATURA / CHROME PLATING

UNI EN 248

Via Leonardo da Vinci 53 20062 Cassano d'Adda (MI) Italy Tel. +39-0363 62651
info@daniel.it www.daniel.it