

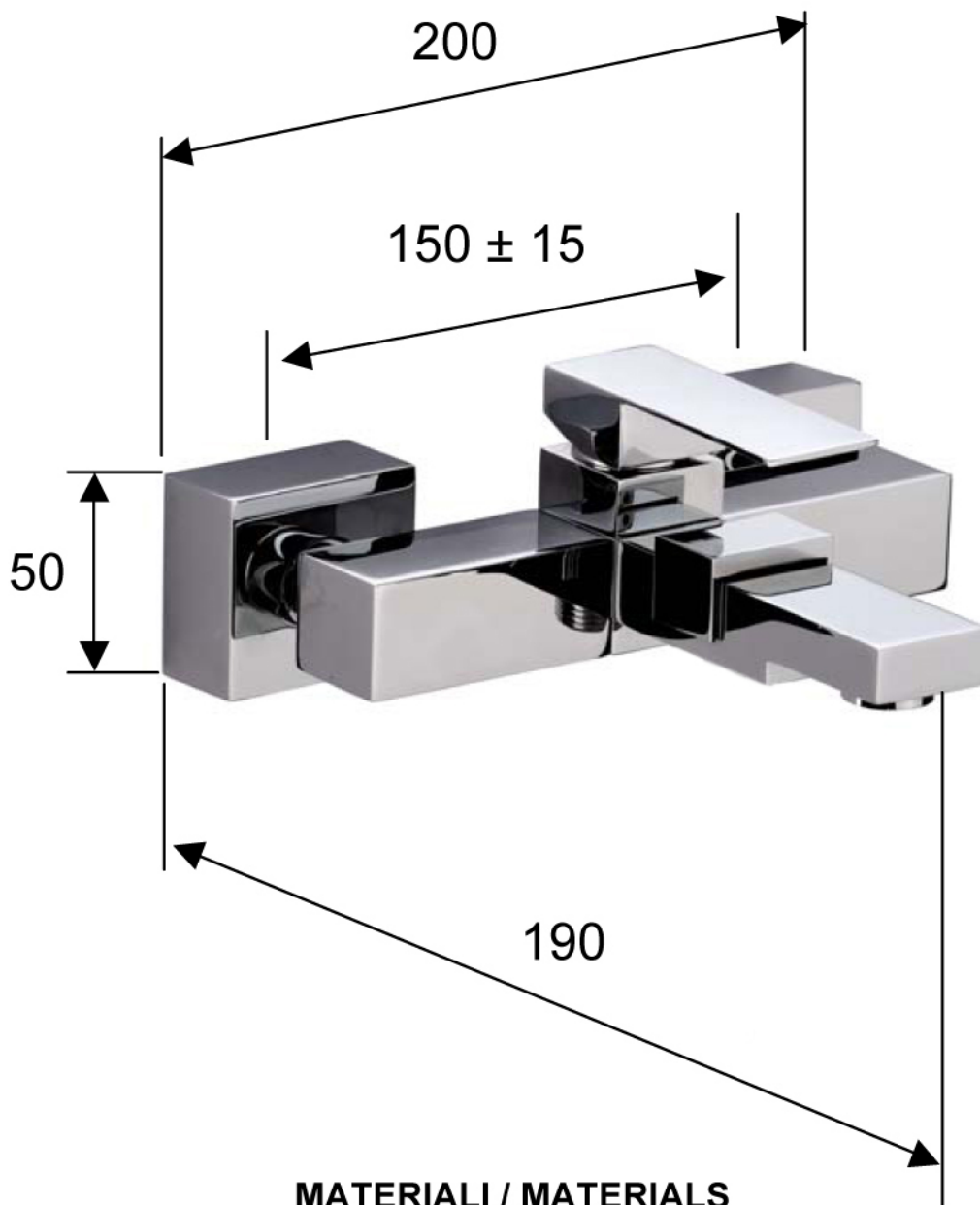


SCHEDA TECNICA TECHNICAL FEATURES

**DANIEL**

ART. COD.

**SK 600 H**



**MATERIALI / MATERIALS**

OTTONE CROMATO / CHROME PLATED BRASS

**CROMATURA / CHROME PLATING**

UNI EN 248