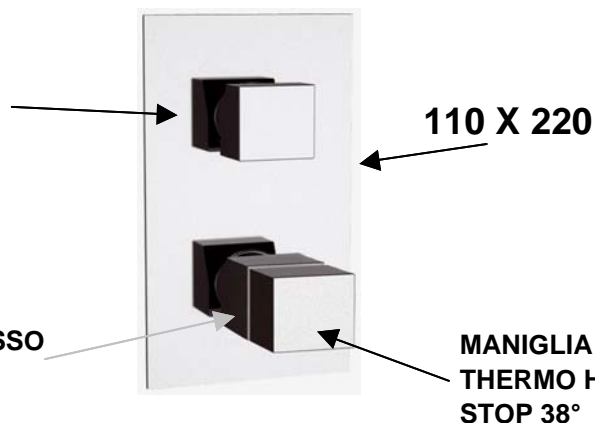
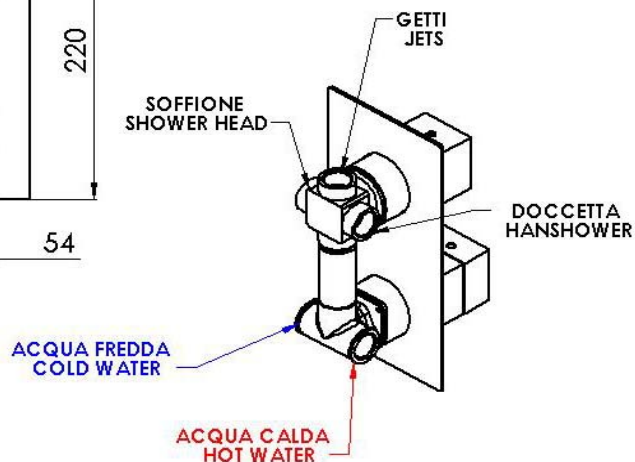
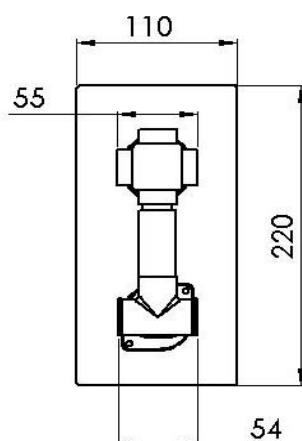
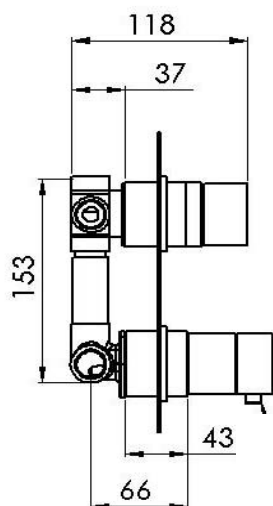


DEVIATORE 3 / 7 POS  
DIVERTER 3 / 7 POS



MANIGLIA FLUSSO  
FLOW HANDLE

MANIGLIA TERMO  
THERMO HANDLE  
STOP 38°



**MATERIALI / MATERIALS**

OTTONE CROMATO / CHROME PLATED BRASS

**CROMATURA / CHROME PLATING**

UNI EN 248