

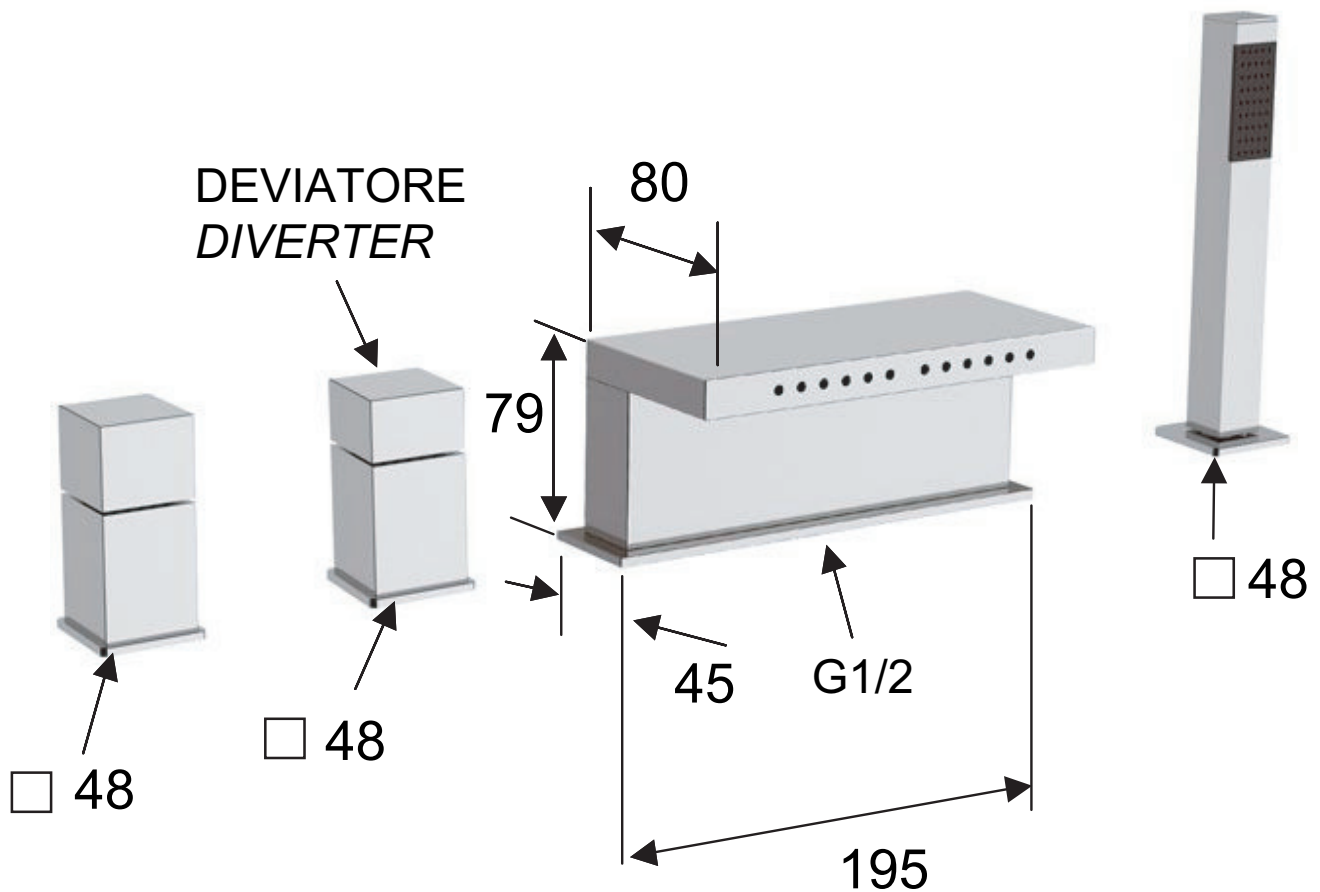


DANIEL

SCHEDA TECNICA TECHNICAL FEATURES

ART. COD.

CU699



3 FORI X FISSAGGIO Ø 35 mm
3 *FIXING HOLES* Ø 35 mm

MATERIALI / MATERIALS

OTTONE CROMATO / CHROME PLATED BRASS

CROMATURA / CHROME PLATING

UNI EN 248