



**DANIEL**

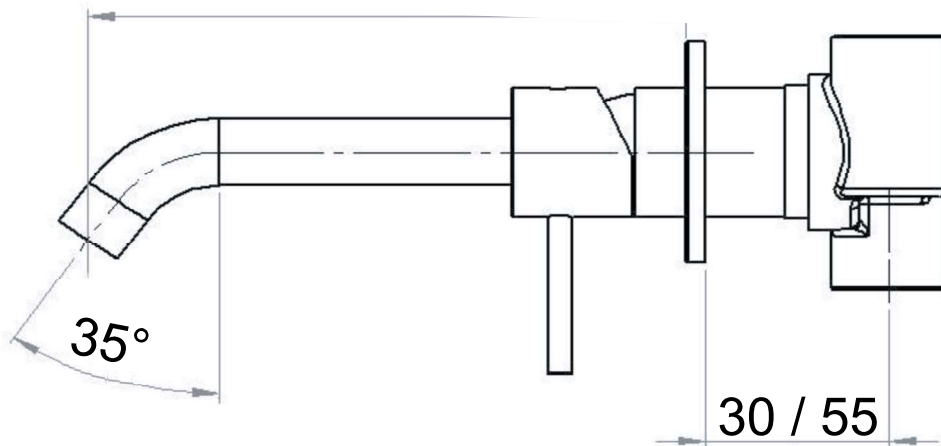
SCHEDA TECNICA TECHNICAL FEATURES

ART. COD.

**SSTX632P**

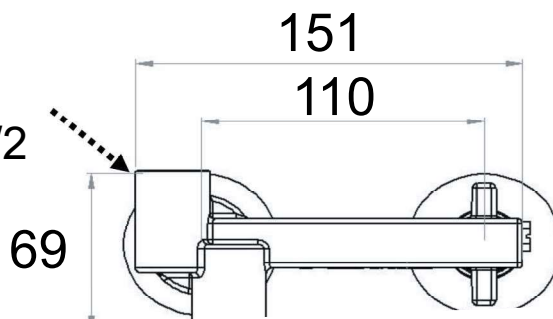


MAX 160



ACQUA FREDDA  
COLD WATER

G1/2



□ ..... ACQUA CALDA / HOT WATER  
G1/2

**MATERIALI / MATERIALS**

ACCIAIO INOX / STAINLESS STEEL