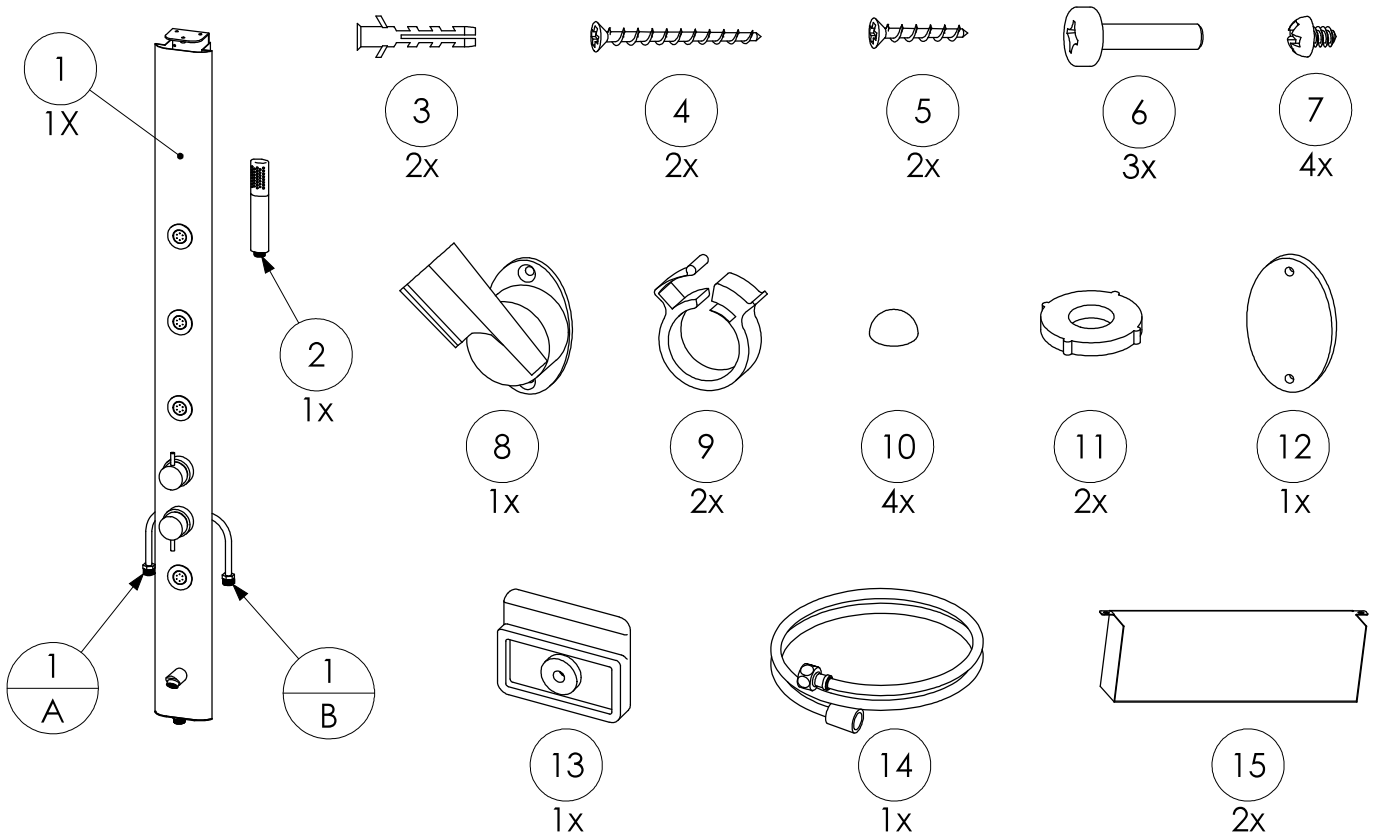
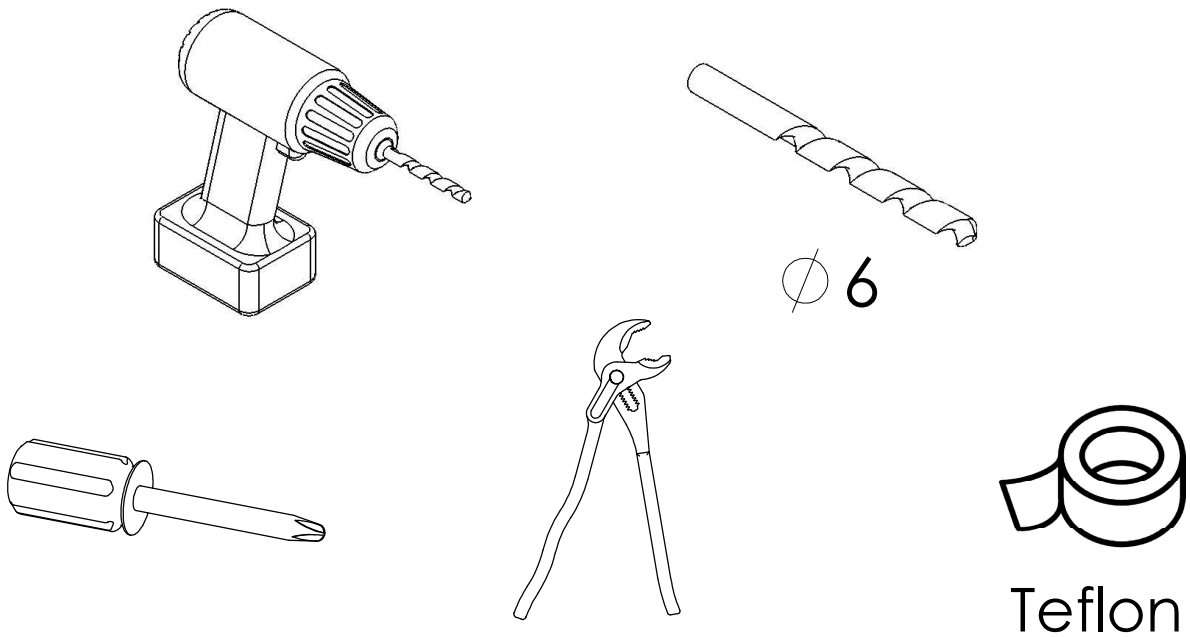


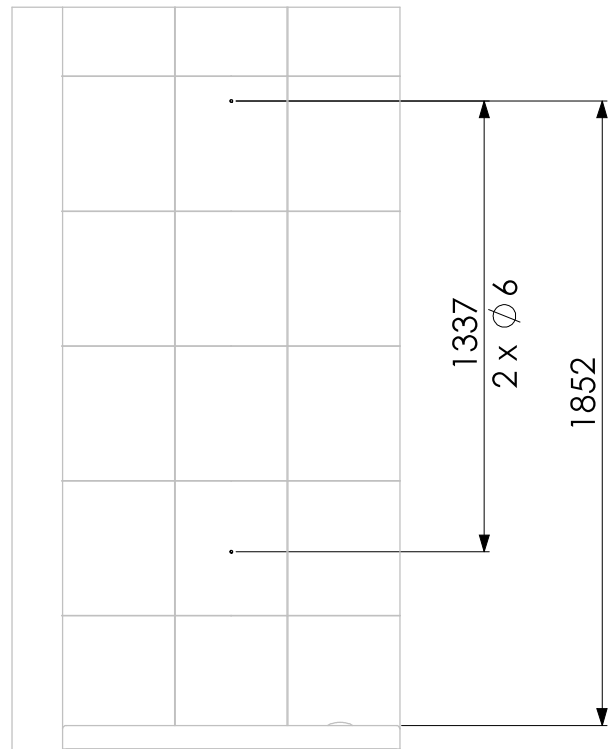
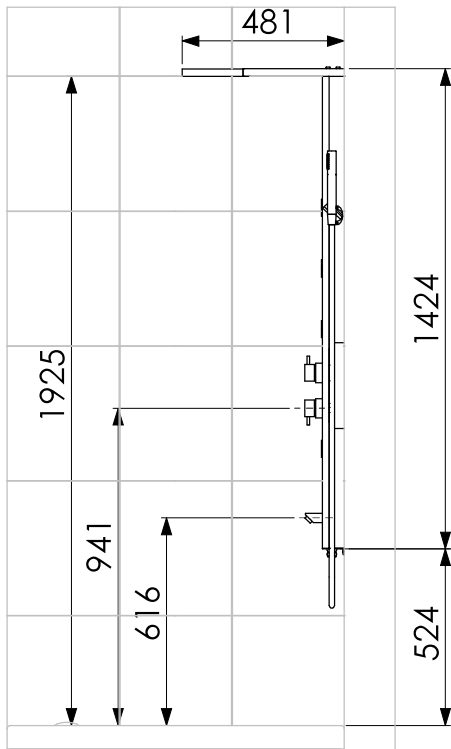
INSIDE THE BOX



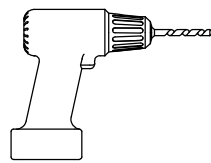
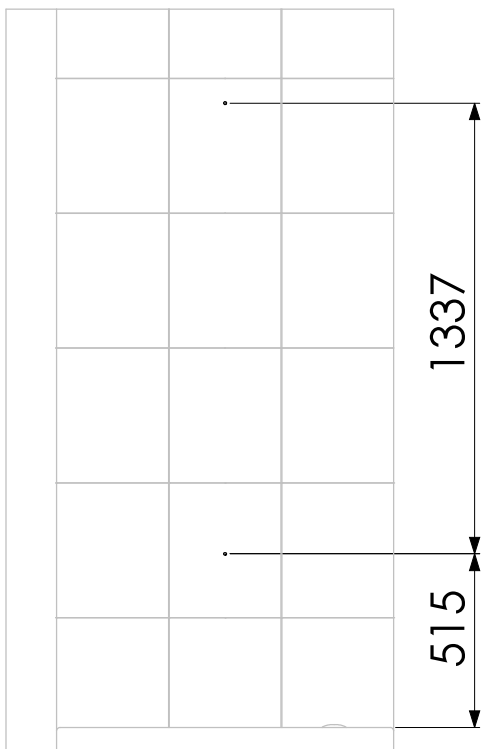
REQUIRED TOOLS - NOT INCLUDED -



DEFAULT POSITION



Working water pressure: 2 - 6 bar | Ideal water pressure: 3 - 4 bar



2 X Ø 6

